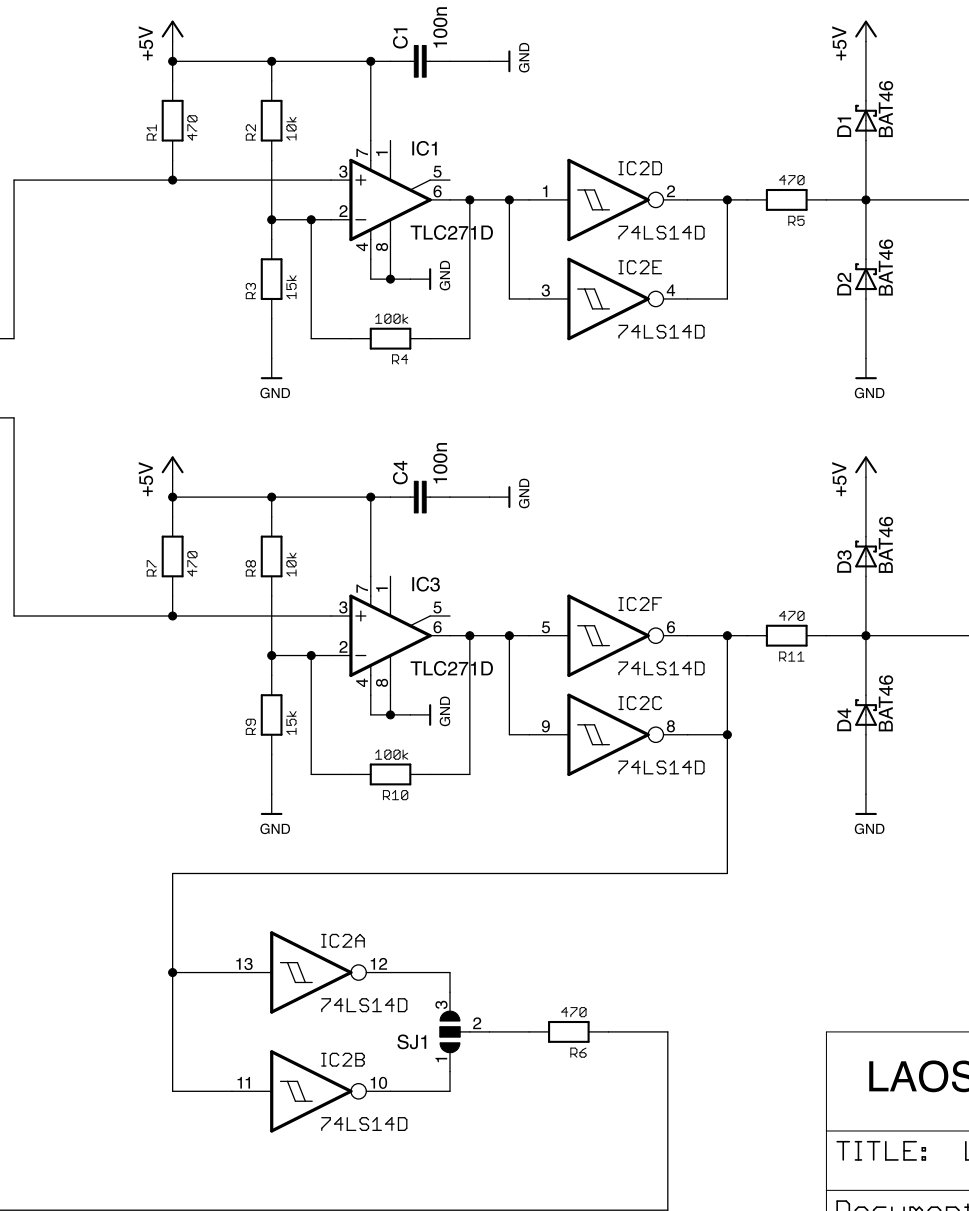


LAOS board

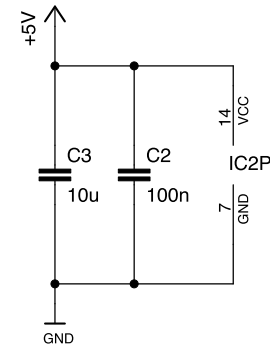
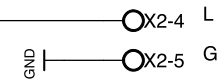
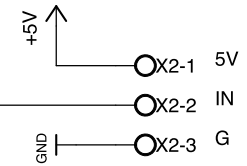
Laser PWM
C X1-1
E X1-2

Laser ON
C X1-3
E X1-4

LED front panel
X1-5
X1-6



MY JG40W power supply



LAOS Level Shifter for SH-K40-IV

TITLE: LevelShifter

Document Number:

REV:
1.0

Date: 30.05.15 11:16

Sheet: 1/1